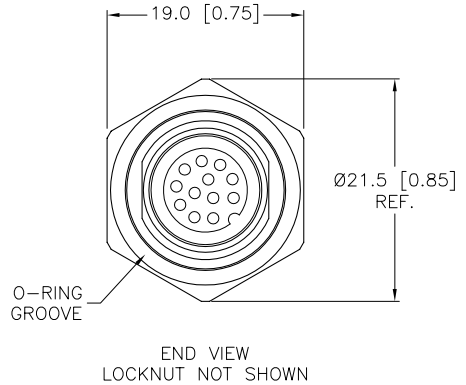
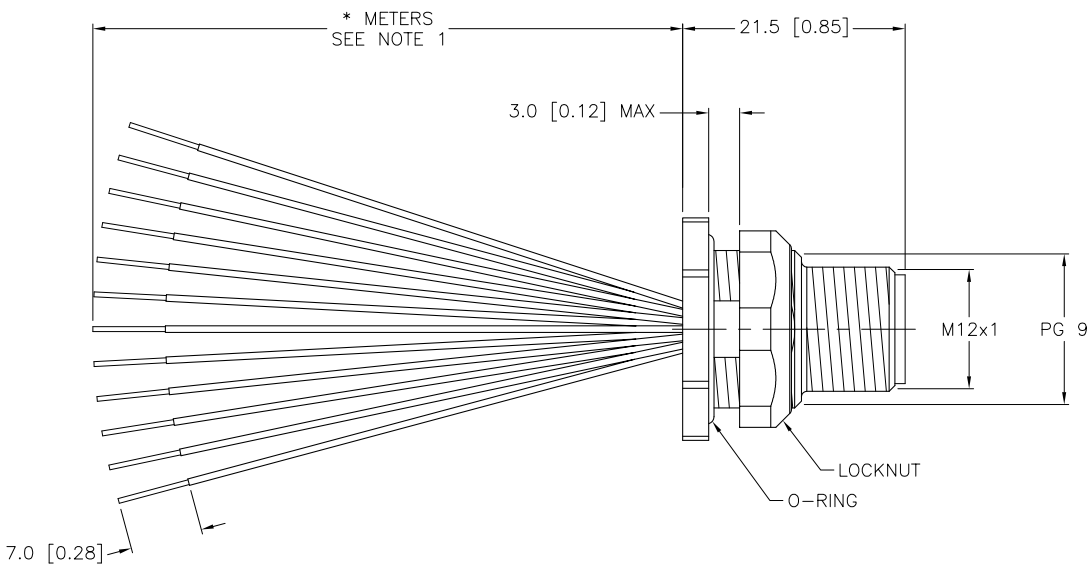


SPECIFICATIONS	
CONTACT CARRIER MATERIAL	NYLON or PUR
CONTACT MATERIAL/PLATING	GOLD-PLATED BRASS
RATED CURRENT [A]	2.0 A
RATED VOLTAGE [V]	60 VAC/75VDC
HOUSING/LOCKNUT MATERIAL	NICKEL-PLATED BRASS
NUMBER OF CONDUCTORS [AWG]	12x24 AWG
TEMPERATURE RATING	-30°C to +80°C (-22°F to +176°F)
PROTECTION CLASS	MEETS NEMA 1,3,4,6P AND IEC IP68
SPACINGS	to VDE 0110 GROUP C



CABLE LENGTH	TOLERANCE
ALL LENGTHS	+ 4% (OR 50mm) OF LENGTH - 0% (OR 0mm) OF LENGTH WHICHEVER IS GREATER
STRIP LENGTH	TOLERANCE
0-7mm	±0.5mm
8-29mm	±1.0mm
30-49mm	±2.0mm
50-69mm	±3.0mm
70-100mm	±4.0mm
OVER 100mm	±5.0mm

**SOURCE DRAWING - FOR REFERENCE ONLY**

NOTES:

1. "\*" INDICATES LEAD LENGTH IN METERS. CONTACT TURCK TO ORDER SPECIFIC LENGTHS.

2. STRIP AND TIN LENGTHS ARE FOR REFERENCE ONLY; SOME LENGTHS MAY NOT BE STRIPPED OR TINNED.

RELATED DOCUMENTS		3RD ANGLE PROJECTION		THIS DRAWING IS PROPERTY OF TURCK INC. USE OF THIS DOCUMENT WITHOUT WRITTEN PERMISSION IS PROHIBITED.		<b>TURCK INC</b> High Technology Sensors and Automation Controls 3000 CAMPUS DRIVE MINNEAPOLIS, MN 55441 1-800-544-7769 (763) 553-7300 (763) 553-0708 fax turck.com	
1.			DRFT	RDS	DATE 12/04/02	DESCRIPTION FSFD 12-*	
2.			DSGN		SCALE 1=.8		
3.		ALL DIMENSIONS DISPLAYED ON THIS DRAWING ARE FOR REFERENCE ONLY	UNIT OF MEASUREMENT			IDENTIFICATION NO.	
4.			MILLIMETER [ INCH ]				
MATERIAL		CONTACT TURCK FOR MORE INFORMATION	DO NOT SCALE THIS DRAWING			REV A	
SEE SPECIFICATIONS			FILE: EURO-R\777001603			SHEET 1 OF 1	
FINISH		SEE SPECIFICATIONS					

A	DRAWING RELEASE	SWC	05/13/03	
REV	DESCRIPTION	BY	DATE	ECO NO.